

EXCEL

Glass Systems



- Glass Doors & Entrance Systems
- Sliding & Stacking Doors
- Glass Handrail Systems
- Clad Aluminum Doors & Entrance Systems
- Shower Doors and Enclosures

UNSURPASSED
QUALITY
& SELECTION

EXCEL Glass Systems

Dallas Flat Glass Distributors is a leading fabricator and distributor of architectural glass and aluminum in the United States. Dallas Flat Glass Distributors has built its reputation on providing the highest quality products and services to meet the needs of the architect, designer, developer, and glazing contractor.

Dallas Flat Glass Distributors offers a complete array of glass products to meet the design requirements of the entire supply chain. The assortment of products meld the elegance and functionality of glass, and are uniquely suited for virtually any glass application - whether in an office building, retail store, residence, museum, restaurant, university, hospital, house of worship, or resort.

Dallas Flat Glass Distributors improves efficiency by manufacturing and fabricating both the glass and metal for your project. In addition to being a single source, we strive to ensure the quality of the entire product package exceeds your expectations. We supply results in superior products that meet the most demanding applications, specifications, and delivery schedules. With a knowledgeable workforce, a dependable delivery network, and a long tradition of superior customer service, Dallas Flat Glass Distributors has become a leader in the distribution and fabrication of glass and aluminum.

As part of Dallas Flat Glass Distributors, ***Excel Glass Systems*** provide architects and glazing contractors with an extensive range of design solutions, all of which are backed by superior warranties and customer service





Excel Glass Systems

All-Glass Doors

Excel Glass Systems All-Glass Doors from Dallas Flat Glass Distributors deliver a stunning entry into any space, using durable hardware and a variety of glass options.

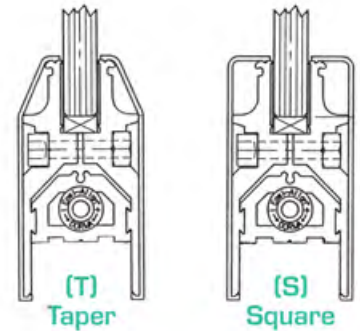
The possibilities are endless for creating an entrance system that allows an increased view of the interior space and added light, while providing the privacy desired. Excel Glass Systems offers multiple rail, sidelite, and glass surface treatment options for all your design requirements.

STANDARD ARCHITECTURAL DOOR RAILS

Standard door rails are available in several architectural designs ranging in size from 1-7/8" x 3-5/8" up to 1-7/8" x 10". All standard rails can be used in a number of different combinations of continuous and corner rails.

RAIL STYLES

(Square Profile is Available in 3-5/8" - 10" heights)



DOOR STYLES

- A-Style:** Patch rail at top and bottom pivot corners only.
- F-Style:** Patch rail at top and bottom pivot corners and at one leading corner of door.
- BP-Style:** Patch rail at top pivot corner, continuous bottom rail.
- P-Style:** Continuous top and bottom rails.
- WP-Style:** Continuous top and bottom rails with narrow weathered vertical stiles.



GLASS

The tempered glass used in Excel Glass Systems Doors is impact resistant, and always horizontally tempered. 3/8" and 1/2" glass in clear, grey or bronze is available. For 3/4" glass in clear, consult factory. All glass is fabricated and tempered in strict accordance with Federal Specification 16 CFR 1201 and ANSI Z97 Architectural Standards.

HOLES, NOTCHES, ETC.

Tempered glass doors may be prepared for hardware, push-pulls, etc. by drilling, notching and edging as required prior to tempering in our factory. No attempt to alter the size or to fabricate shall be made after the glass is tempered and leaves our factory.

METALS AND FINISHES

Excel Glass Systems standard rails are fabricated in all of the popular architectural metals aluminum, stainless steel clad aluminum, brass clad aluminum.

- Extruded Aluminum, alloy 6063-T5 Clear, Bronze or Black Anodized.
- Stainless Steel Clad, alloy 304 #8 Mirror Polish, #4 Satin Polish.
- Brass Clad, alloy 280 #8 Mirror Polish, #4 Satin Polish, Satin Oxidized Oil Rubbed or Clear Baked Enamel.





SIDELITES

Side fixed panels (sidelites) are available with continuous rails at top and bottom. Sidelites are also available with recessed channel at head and sill so glass only is exposed.

PIVOT DISTANCE

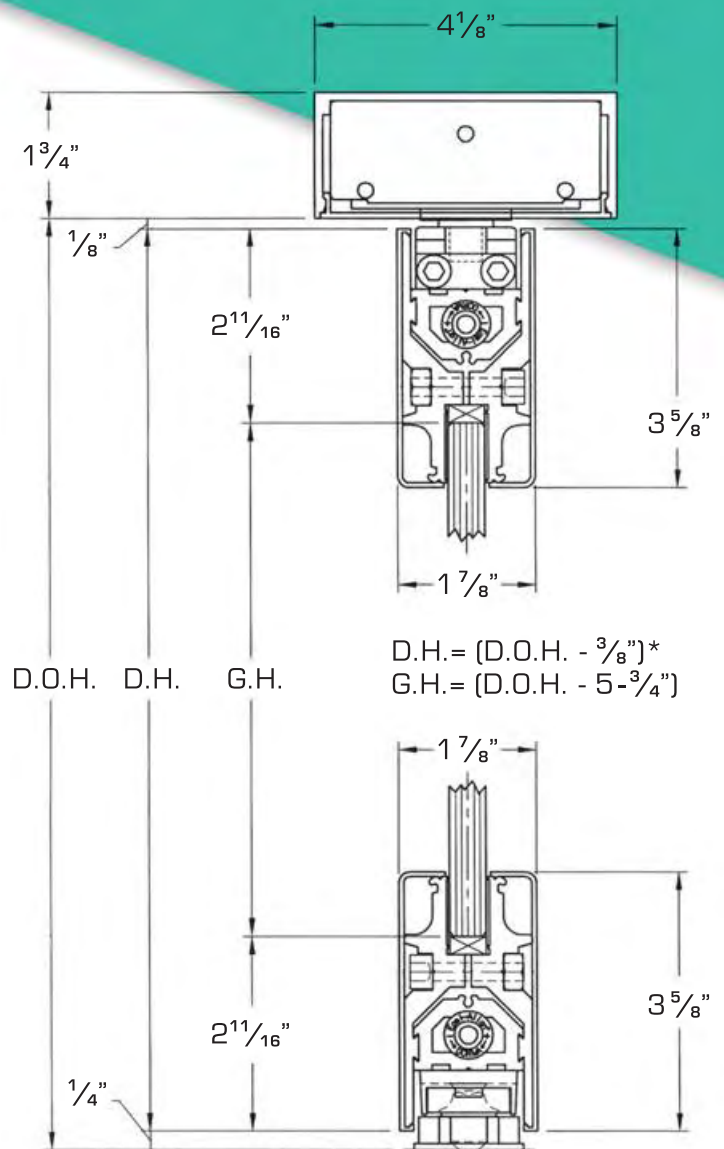
Pivot distance from jamb in some cases is dictated by the hardware package. Contact the factory for information regarding pivot placement dimensions.

MAXIMUM DOOR SIZE

Subject to application and design.

CLEARANCE

Standard clearance is $1/8"$ at the head and jambs at doors and $1/4"$ at the sill. Butt glazing joints are typically figured at $1/4"$ except between sidelites and all-glass transoms where $1/8"$ is maintained to match the door jambs. Please request different clearances if needed.

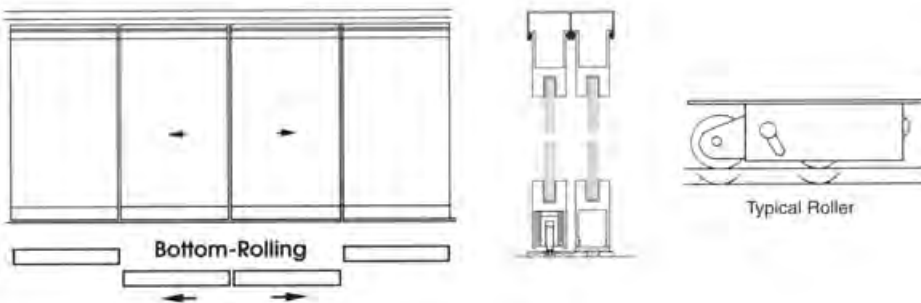


Excel Glass Systems Sliding & Stacking Doors

Excel Glass Systems Sliding & Stacking Doors from Dallas Flat Glass Distributors are ideal for use in covered malls where individual shop entrances remain open during business hours. Providing easy access and conserving valuable floor space, the door panels can be adapted to single or multiple door installations. Even better, Excel Glass Systems Sliding & Stacking Doors are available in all rail styles and can be produced in any of the wide variety of metals, finishes, and glass surface treatments.

SLIDING DOORS

Excel Glass Systems bottom-rolling sliding glass doors allow for ease of access and use in both interior and exterior applications. These doors are available in either single or multiple door configurations to meet a wide variety of design requirements. Bottom roller sliding door systems are fabricated with full top and bottom rails only.



STACKING DOORS

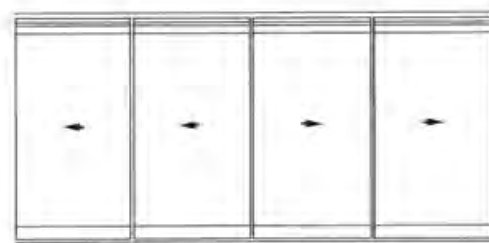
Top-hung stacking door systems offer the designer a virtually limitless array of creative options. These doors employ a concealed pocket to store the doors when retracted, so an open "doorless" environment is produced. The roller mechanism used provides years of constant service and requires a minimum of effort to open and close.

The tempered glass panels are housed in top and bottom full-width rails. No vertical members are required. Pocket enclosures may be designed to allow for several different storage options. Please consult the factory for assistance with specific design details.

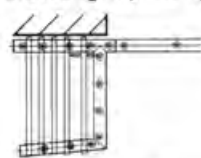
- Suitable for both inline and curved configurations
- Mechanical clamp-on system
- No floor track

Panel Limits:

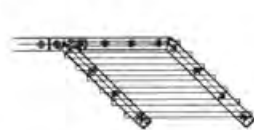
- Max Height 120" (3000mm)
- Max Weight 300 lb (136kg)
- Min Width 24" (600mm)
- Max Width 42" (1060mm)



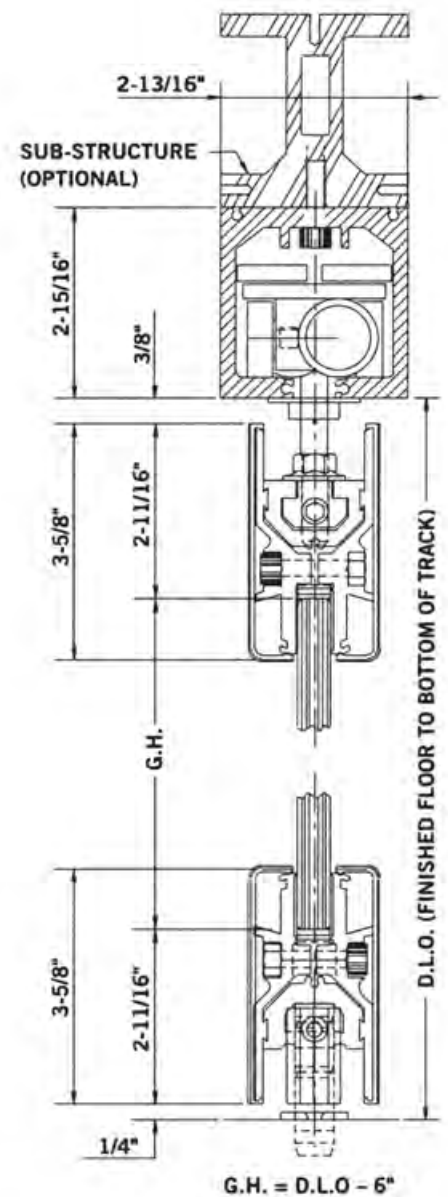
Stacking Top-Hung



90° Panel Stacking



Parallel Panel Stacking



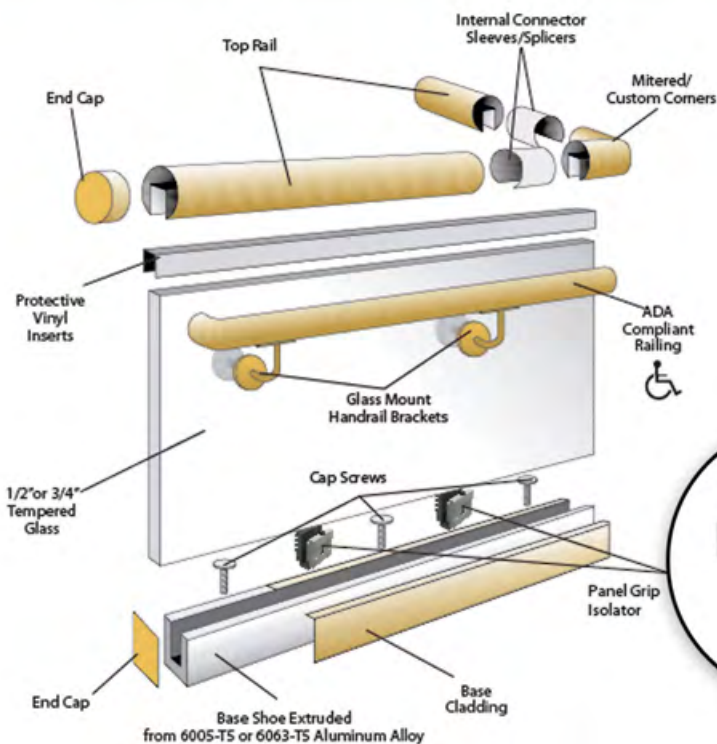


Excel Glass Systems Glass Handrails

Excel Glass Systems Handrails are favorites of both designers and architects, offering functionality and beauty. The “see-through” properties of glass handrails complemented by subtle color or design create endless enhancement opportunities. Excel Glass Systems glass handrailing systems integrate with 1/2” or 3/4” tempered or laminated glass panels to create structural balustrades.

When paired with high quality architectural metals, the end result can be breathtaking. Used in both residential and commercial applications, our glass railing systems allow you to showcase the view, rather than hide it. Excel Glass Systems offers a full line of glass railing components including base shoe, cladding, top rail, handrail brackets and more.

Whether the job specifies a wet or dry glazed system, Excel Glass Systems railing systems deliver the beauty you want for the finishing touch on your commercial and residential installations.



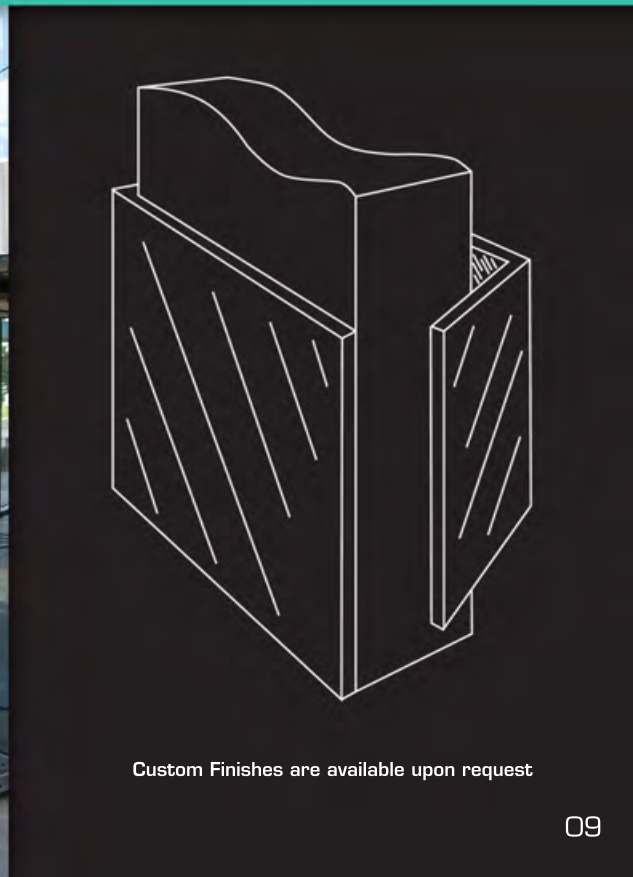
Excel Glass Systems

Clad Doors & Entrance Systems

Excel Glass Systems Clad Doors and Entrance Systems are created by overlaying (or cladding) the underlying structure with a more visually attractive metal. The result is a durable finished product with the look of luxury that will deliver years of dependable, trouble-free service. With a broad selection of metals and finishes to choose from, Excel Glass Systems Clad Door Systems can be custom tailored to complement any visual setting or décor. Doors and entrance systems are available in a variety of stile widths and rail heights. Clad entrance systems will accommodate up to 1" insulated glass.

- Cladding is achieved by layering two types of metal
- Metal cladding allows a mill finish aluminum product to take on the look of solid stainless steel or brass
- Doors and sidelite materials may be clad to create the luxurious look, while avoiding the high cost of solid metal
- The resulting light-weight doors are easy to operate and extend the life of pivots and closers
- Cladding material thicknesses available up to 16 gauge

METALS					
STAINLESS STEEL		BRASS		BRONZE	
STAINLESS STEEL (304 ALLOY)			BRASS (280 COPPER ALLOY)		BRONZE (220 COPPER ALLOY)
POLISHED #8	US STANDARD - US32	POLISHED	US STANDARD - US3	POLISHED	US STANDARD - US9
SATIN #4	US STANDARD - US32D	SATIN	US STANDARD - US4	SATIN	US STANDARD - US10



Custom Finishes are available upon request

Excel Glass Systems Shower Enclosures

Excel Glass Systems offers elegant shower doors. The combination of sparkling tempered glass with polished edges, attractive hinges, and towel bars that double as handles, have caused these enclosures to catch the eye of many designers of not only residential but also hotel, motel, and condominium projects. Shower door hinges and hardware are available in a variety of finishes.

DESIGN ELEMENTS

Shower doors employ 3/8" or 1/2" glass. All exposed edges will be factory polished. Glass is fully tempered in accordance with ASTM C-1048 to meet all requirements for safety glazing materials per ANSI-Z97.

Shower doors can be fabricated in a variety of configurations. Sidelites can be used to form complete enclosures. Doors should not exceed 32" in width or 80" in height.

- Shower configurations can range from a single door with wall-mount hinges to complete enclosures.
- Easy installation with only four screws per hinge required for wall anchoring.
- Self-closing from approximately 15° with positive holding in the closed position.

Choose from a range of superb architectural finishes including Brushed Nickel and Oil Rubbed Bronze.

HARDWARE

Excel Glass Systems fabricates heavy glass frameless shower enclosures using a variety of hardware styles, which offer maximum design flexibility. Glass-to-glass and glass-to-wall hinges are available in a variety of finishes. "U" channel, header kits, and pivot hardware may also be used.



EXCEL

Glass Systems
A Division of Dallas Flat Glass Distributors

972-506-9580
www.dallasflatglass.com



"All the News That's Fit to Print."

The New York Times.

NEW YORK, TUESDAY, APRIL 14, 1914.—TWENTY-FOUR PAGES

THE WEATHER.
Unsettled Tuesday; Wednesday fair, cooler; moderate southerly winds, becoming variable. 47° to 51°; Tuesday night to 44° to 47°.

ONE CENT

Herculite Doors Change the Face of Architecture

Until 1937 no one had ever seen an all-glass door, without a frame around the glass—and perhaps no one had ever thought of such a door. However, in that year, Herculite Doors made entirely of glass became an accomplished fact. They were conceived in the course of conversation between the president of a large corporation and one of the technical representatives of the Company discussing the expressed desire of the tenant for an all-glass, clear-view entrance to his building. The first installation was made in the entrance foyer of the Bank of the Manhattan Company.

A well-known architectural journal has stated that Herculite Doors constitute one of the real contributions to architecture in modern times.

This famous baseball player executes a full swing at the door. The Herculite door is not impressed with a batting average of .350.

Col. Astor and Bride, Isidor Straus and Wife, and Maj. Butt Aboard.
"RULE OF SEA" FOLLOWED
Women and Children Put Over in Lifeboats and Are Supposed to be Safe on Carpathia.

PICKED UP AFTER 8 HOURS
Vincent Astor Calls at White Star Office for News of His Father and Leaves Wagon.

FRANKLIN HOPEFUL ALL DAY
Manager of the Line Insisted Titanic Was Unsinkable Even After She Had Gone Down.

HEAD OF THE LINE ABOARD
A Great Heavy Making First Trip to Olympic Ring. That Was to Be Expected All Week.

Biggest Liner Plunges to the Bottom at 2:20 A. M.
RESCUERS THERE TOO LATE
Except to Pick Up the Few Hundreds Who Took in the Lifeboats.

WOMEN AND CHILDREN FIRST
Commander Carpathia Rushing to New York with the Survivors.

SEA SEARCH FOR OTHERS
The California Starts by on Chance of Finding Up Other Boats or Rafts.

OLYMPIC BENDS THE NEWS
Only Able to Place British Men-ages in Shows after Six Days.





Dallas Flat Glass Distributors

1304 Champion Circle
Carrollton, TX 75006

Phone: 972-506-9580

Fax: 972-506-9585

www.dallasflatglass.com

EXCEL
Glass Systems
A Division of Global Flat Glass Distributors